



AKJ P NAAP



NAOE AJ P EAH

## PRODUCT INFORMATION

- Elegantly shaped aluminium profile, with Velcro Hook Tape
- Simple and quick installation with Smart Klick<sup>®</sup> bracket
- Can be controlled by wall switch, remote control (high frequency) or time switch (high frequency)
- Easy to connect to building automation systems
- Corddrums can be placed on every position in the profile
- Maximum fabric weight per cord roll: 4 kg and total system 13 kg\*1)
- Maximum height 5.5 meter
- Tubular motor also available with internal Multi receiver and electronic limit setting
- Noise level tubular motor < 44 dB(A)
- Easy assembling and smooth operation guaranteed
- Length: 5.80 meter
- Profile quality: aluminium, chromated, powder coated

\*1) other motor types available on request  
up to 26 kg lifting weight per system is possible with a 13Nm motor

## FOR USE IN

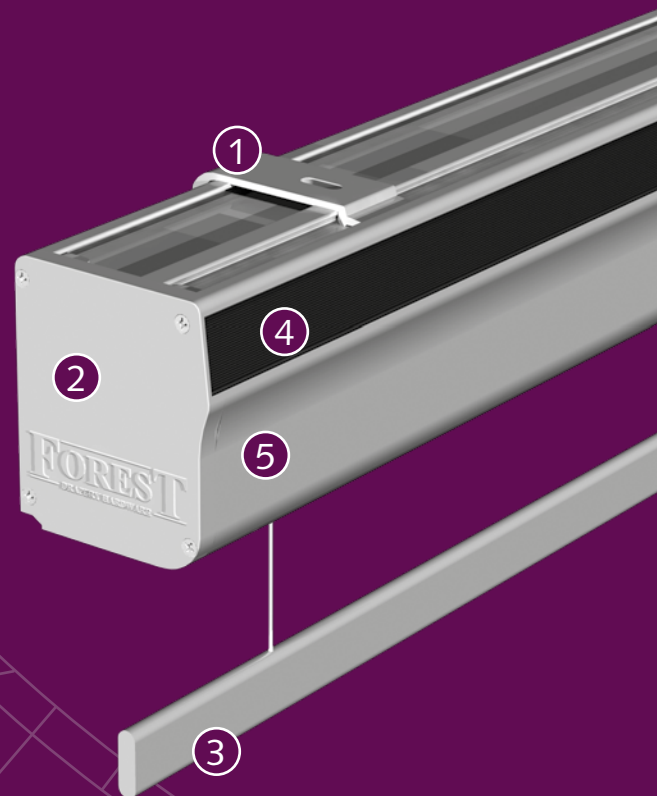
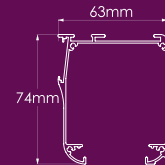
Domestic and/or project market, or at any location where a high quality and smooth operated motorized blind system is requested.

## SPECIFICATIONS

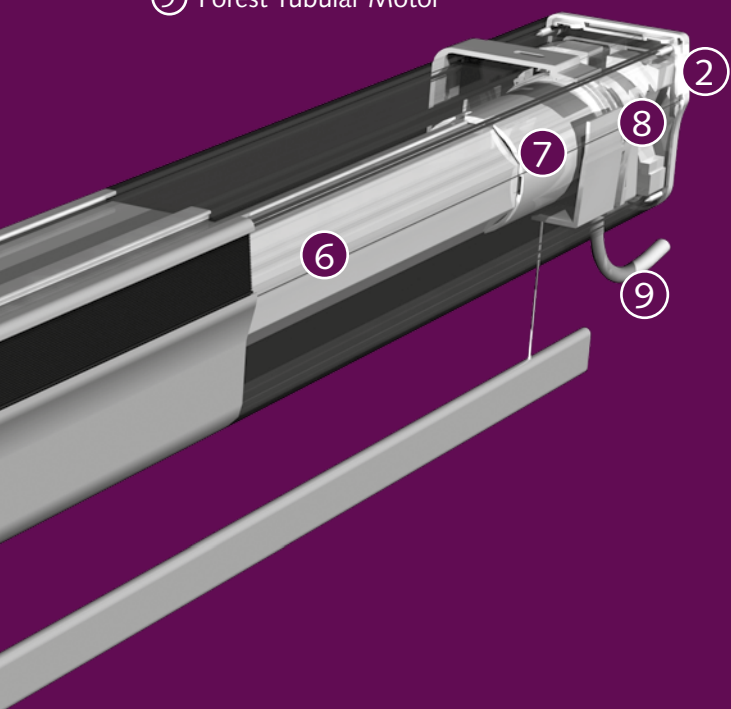
Type	Strength	Speed	Weightload	Noise level	Control options
6/28/S	6 Nm	28 rpm	13 kg	< 44 dB(A)	Switch / Home Automation
6/20/SQ	6 Nm	20 rpm	13 kg	< 40 dB(A)	Switch / Home Automation
13/14/S	13 Nm	14 rpm	26 kg	< 44 dB(A)	Switch / Home Automation
6/28/E	6 Nm	28 rpm	13 kg	< 44 dB(A)	Forest Multi Internal Receiver
6/20/EQ	6 Nm	20 rpm	13 kg	< 40 dB(A)	Forest Multi Internal Receiver
13/14/E	13 Nm	14 rpm	26 kg	< 44 dB(A)	Forest Multi Internal Receiver

## PROFILE

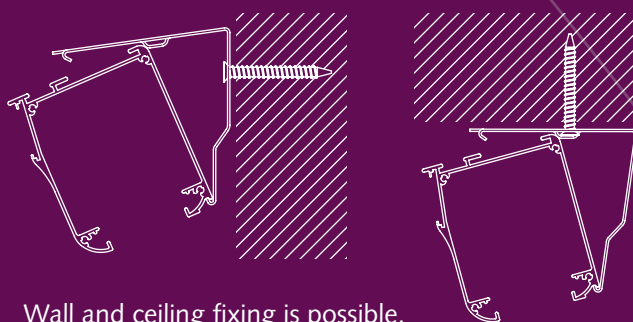
- Weight: 1.092 kg / mtr
- Size: 62 x 74 mm
- Aluminium extrusion



- ① BCS Klick® Bracket
- ② BCS Endcaps
- ③ Bottomweight 20 x 6 mm.
- ④ BCS Velcro Hook Tape
- ⑤ BCS Track
- ⑥ BCS Tube 8-angular
- ⑦ BCS Cord Roll House Complete
- ⑧ BCS Centre Support
- ⑨ Forest Tubular Motor



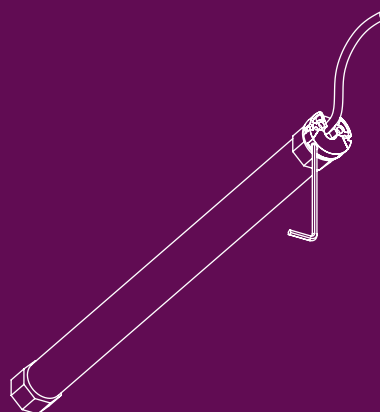
## MOUNTING



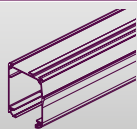
Wall and ceiling fixing is possible.

## ADJUSTING MOTOR

The BCS Tubular Motor can be adjusted mechanically, or with the Forest Multi remote control for the BCS Tubular Motor with internal Multi receiver.



### BCS TRACK



Length 5,80 mtr (19').

341610100

### BCS TUBE 8-ANGULAR



Length 5,80 mtr (19').

3416102000

### BCS ENDCAPS LEFT/RIGHT



3416201000  
25 sets/box

### BCS EASY MOUNT WALL/CEILING BRACKET WHITE



For wall and ceiling fixing.

3416301010  
25/box

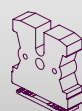
### CEILING SWIVEL BRACKET



For ceiling fixing.

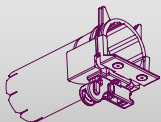
3818200450  
100/box

### BCS CENTRE SUPPORT



Dimension: 51 x 56 mm.

3416500000  
25/box

**BCS CORD ROLL HOUSE COMPLETE**

Cord roll House complete with extender.  
incl. 5,5 mtr white cord.

341650002  
25/box

**BCS CORD**

For use in combination with BCS Cord Rol Support.  
Thickness: 1,3 mm.

3645001000  
500 mtr./roll

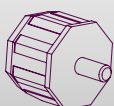
**BCS SNAP CORD FIXER**

For easy adjustment of the BCS/BS/PS Counterweight.

3647001001  
100/box

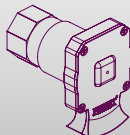
**CORD FIXER CHILD SAFETY**

3611001001  
100/box

**BCS TUBE SUPPORT**

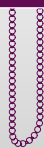
To be placed on the open end of the 8 angular tube.

3416500003  
25/box

**CONTROL UNIT 1.4**

For operation by chain.

3416001014  
1/box

**METAL CHAIN**

ROL 150 MTR  
ENDLESS 0,75  
ENDLESS 1,00  
ENDLESS 1,25  
ENDLESS 1,50  
ENDLESS 2,00  
ENDLESS 2,50  
ENDLESS 3,00

367 000 3100  
367 000 7150  
367 000 7200  
367 000 7250  
367 000 7300  
367 000 7350  
367 000 7400  
367 000 7450

**BCS VELCRO HOOK TAPE**

25 mm height.  
1,20 meter length.

3416500004  
1/box

**BCS FIBREROD**

6 meter length.  
4 mm diameter.

3535301600  
100/bundle

**BCS/BS/PS COUNTERWEIGHT**

6 meter length.  
20 x 6 mm white.

3501701600  
10/bundle

**BCS OBSTRUCTION SENSOR**

For use in combination with the Forest Tubular Motor with built-in receiver.  
Set 230V.

3416800000  
1/box

**FOREST TUBULAR MOTOR**

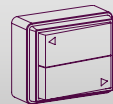
*Standard motor, Mechanical end limits:*

35 MM 230V/50Hz 6/28/S 3416600012  
35 MM 230V/50Hz 13/14/S 3416600016  
35 MM 230V/50Hz 6/20/SQ - ULTRAQUIET 3416600017

*Built-in receiver for Forest Diamond remote control devices:*

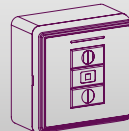
35 MM INT. RECEIVER 230V/50Hz 6/28/E 3416600112  
35 MM INT. RECEIVER 230V/50Hz 13/14/E 3416600116  
35 MM INT. RECEIVER 230V/50Hz 6/20/EQ - ULTRAQUIET 3416600117

1/box

**FOREST WALL SWITCH**

*Dimension:*  
6,5 x 5,5 x 2,7 cm  
(2,6 x 2,2 x 1,1")

5201001910  
1/each

**MULTI RECEIVER/WALL SWITCH BCS/FMS**

Receiver to be used in combination with Diamond remote.

5104011500  
1/each

*Dimension: 8,5 x 8,5 x 3,5 cm.*

**FOREST MULTI WIRELESS SWITCH WITH TIMER**

15 channels  
White  
Black

1/each  
5201001481  
5201006481

**MULTI DIAMOND REMOTE CONTROL**

5 + 1 channel remote control.  
White  
Black

1/each  
5201091460  
5201096460

**MULTI WIRELESS WALL SWITCH**

2-channel wall switch in combination with Shuttle Multi receiver.

*Dimension: 8,5 x 8,5 x 1 cm.*  
White  
Black

1/each  
5201001480  
5201006480

**OTHER CONTROL OPTIONS**

Z-Wave and Somfy receivers and controls are available on request.

