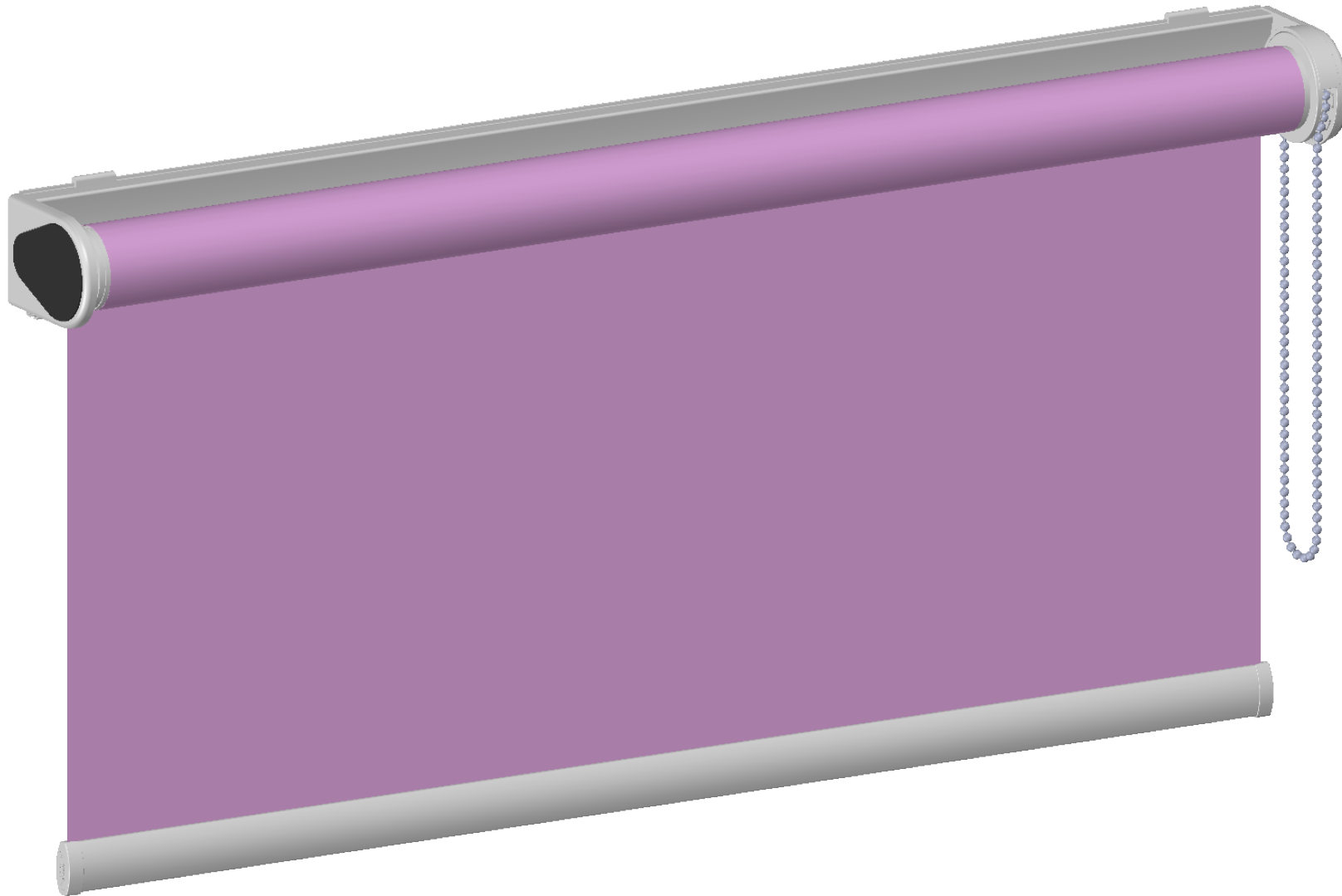
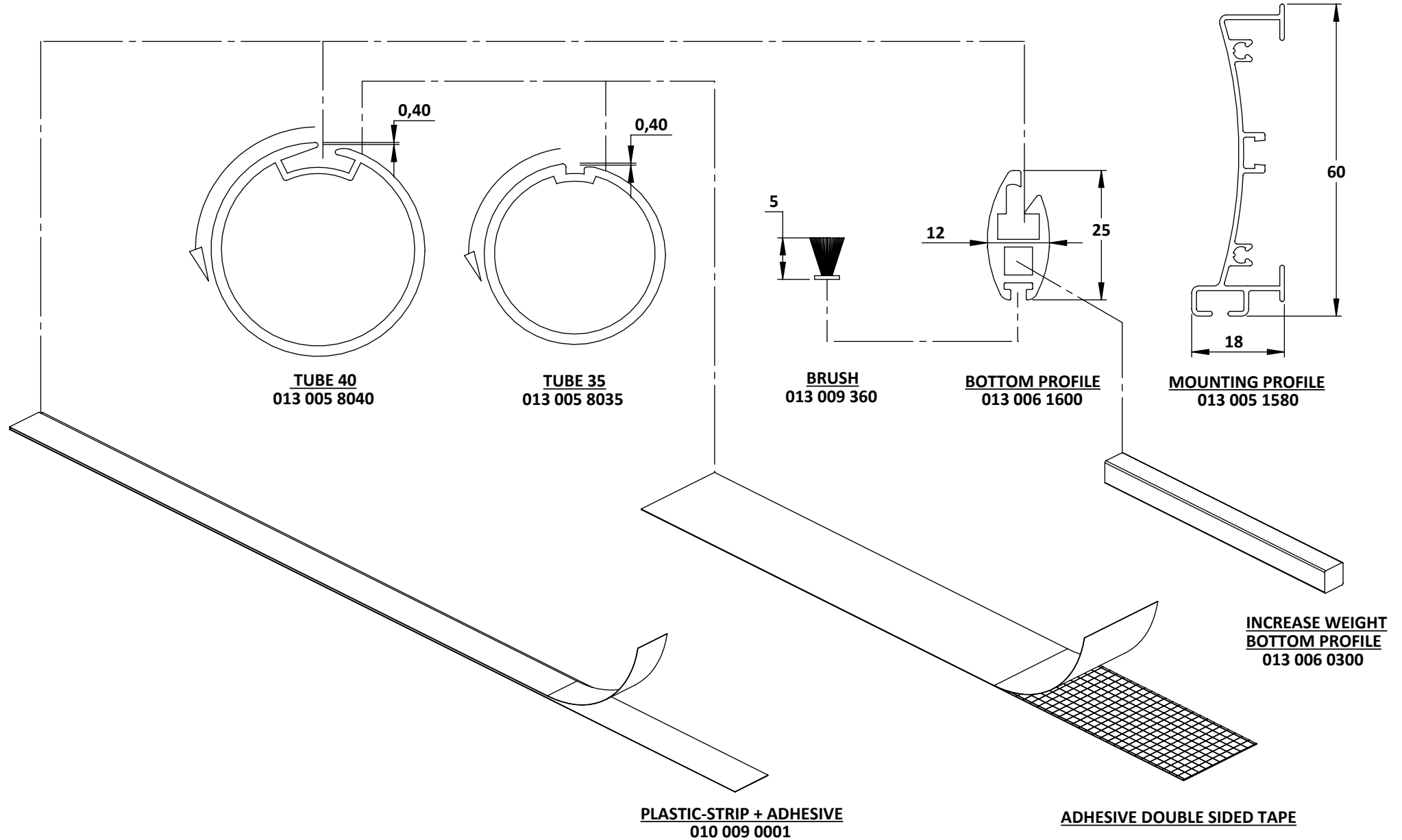


ATLANTIS ROLLER BLIND SLIM LINE-SYSTEM
PROFILE, PART INFORMATION AND SPECIFICATION

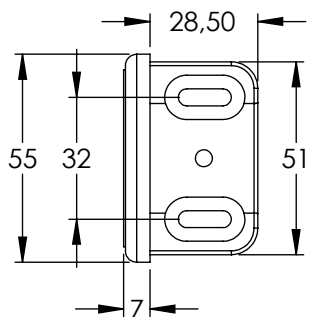
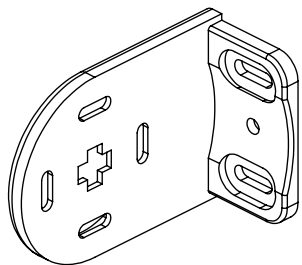


PROFILE-INFORMATION SLIM LINE

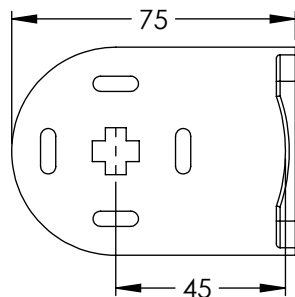
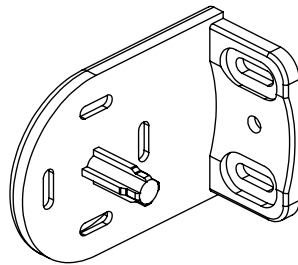


PART-INFORMATION SLIM LINE

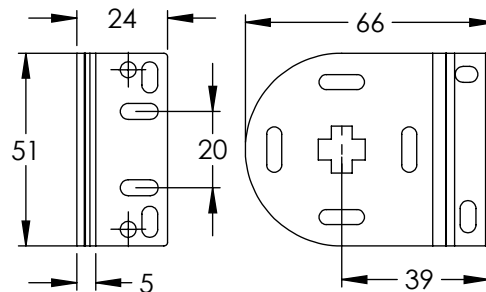
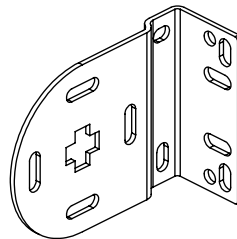
IDLER DESIGN BRACKET SOLID METAL L&R
013 005 1017



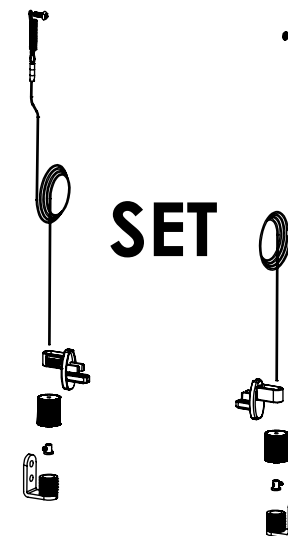
MOTOR DESIGN BRACKET SOLID METAL L&R
013 005 1010



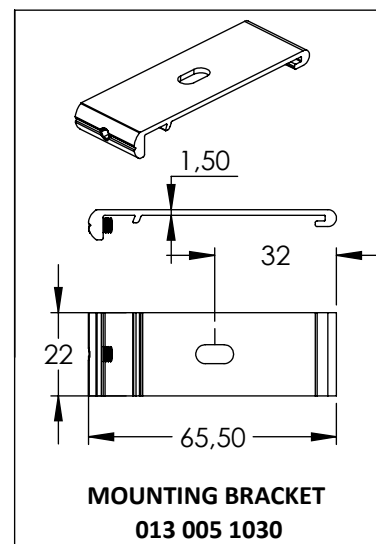
IDLER BRACKET SHEET METAL L&R
013 004 1000



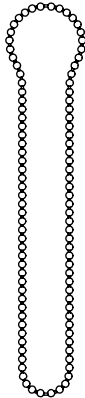
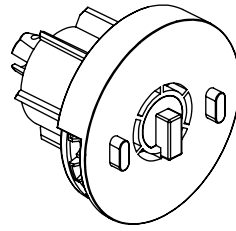
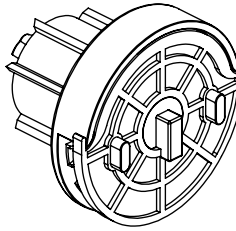
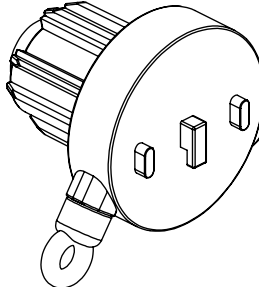
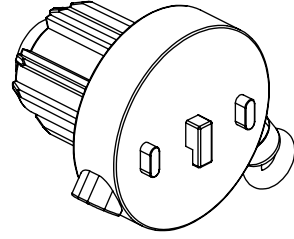
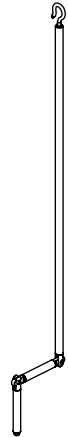
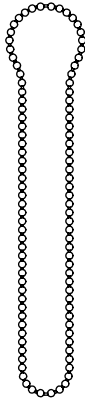
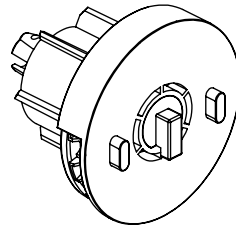
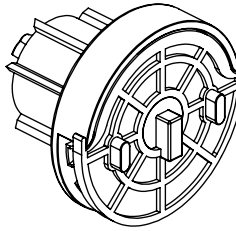
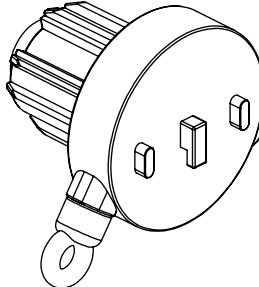
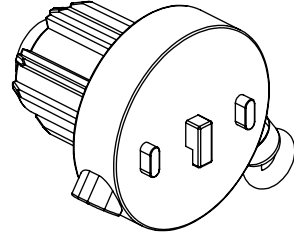
GUIDE-WIRE FOR ALL SLIM-LINE SYSTEMS
013 009 0022

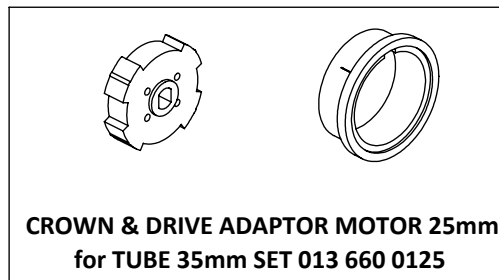


IDLER 40mm 013 005 8065	ENDCAP 013 005 1000
IDLER 35mm 013 635 1000	



OPERATION-INFORMATION SLIM LINE

CHROMED METAL CHAIN 367 000 3100 ROL 150 MTR 367 000 7150 ENDLESS 0,75 367 000 7200 1,00 367 000 7250 1,25 367 000 7300 1,50 367 000 7350 2,00 367 000 7400 2,50 367 000 7450 3,00						
STAINLESS STEEL CHAIN 367 000 8100 ROL 150 MTR 367 000 8150 ENDLESS 0,75 367 000 8200 1,00 367 000 8250 1,25 367 000 8300 1,50 367 000 8350 2,00 367 000 8400 2,50 367 000 8450 3,00						CRANK-ROD 150 cm 013 601 1150

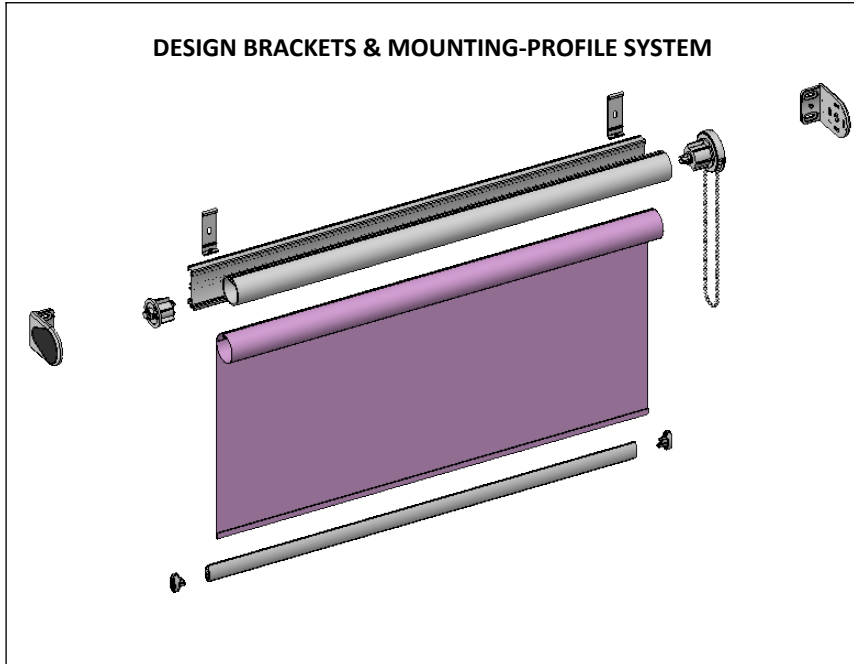


FABRIC 0,3 mm	MAX. HEIGHT	MAX. M ²
TUBE 35	450 cm	9
TUBE 40	390 cm	9

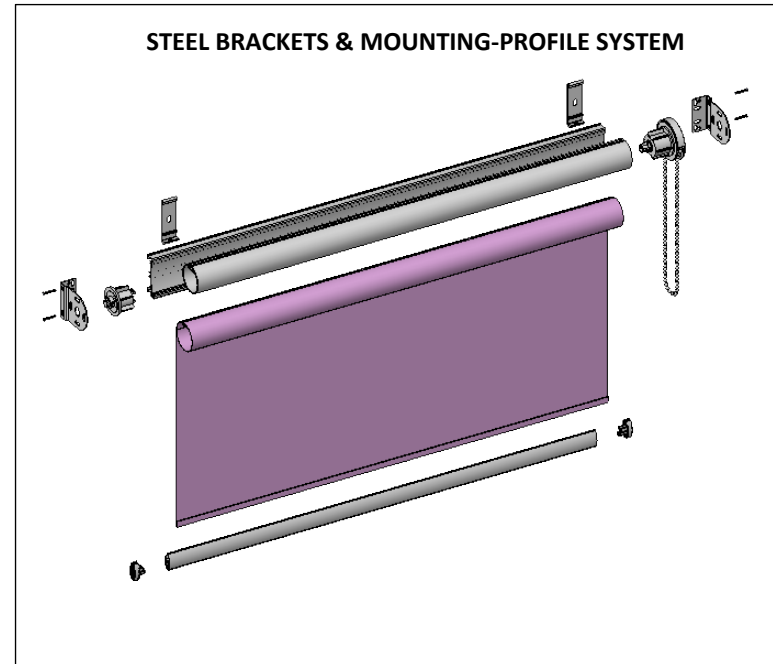
MOTOR CODE	RPM	VOLT	BATTERY	INT.REC	KG / TUBE 35	KG / TUBE 40	MIN WIDTH	MAX WIDTH TUBE 35	MAX WIDTH TUBE 40
341 660 0118	32	230		X	3,5	3	55 cm	200 cm	250 cm
341 660 0120	28	USB 5	X	X	3,5	3	55 cm		
341 660 0119	28	12			3,5	3	55 cm		

SYSTEM-INFORMATION SLIM-LINE

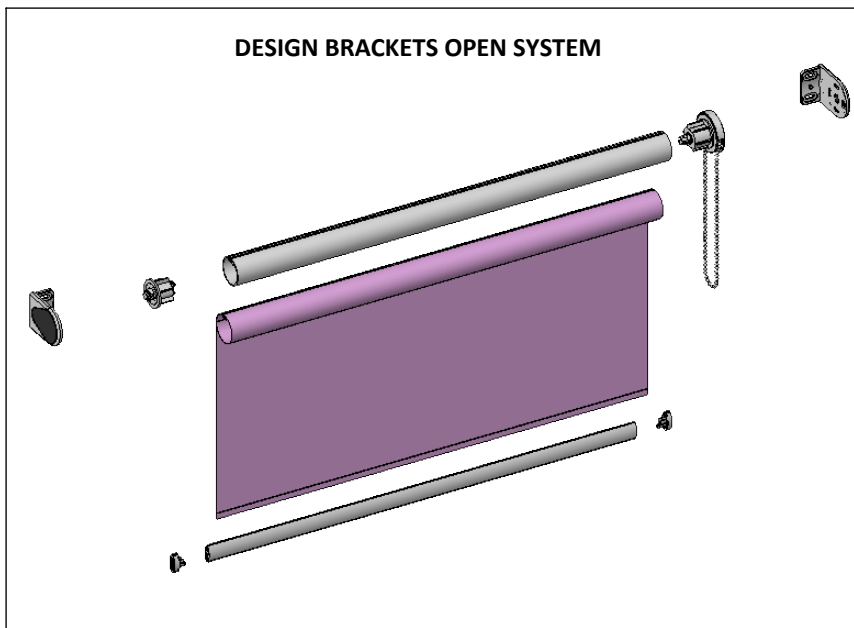
DESIGN BRACKETS & MOUNTING-PROFILE SYSTEM



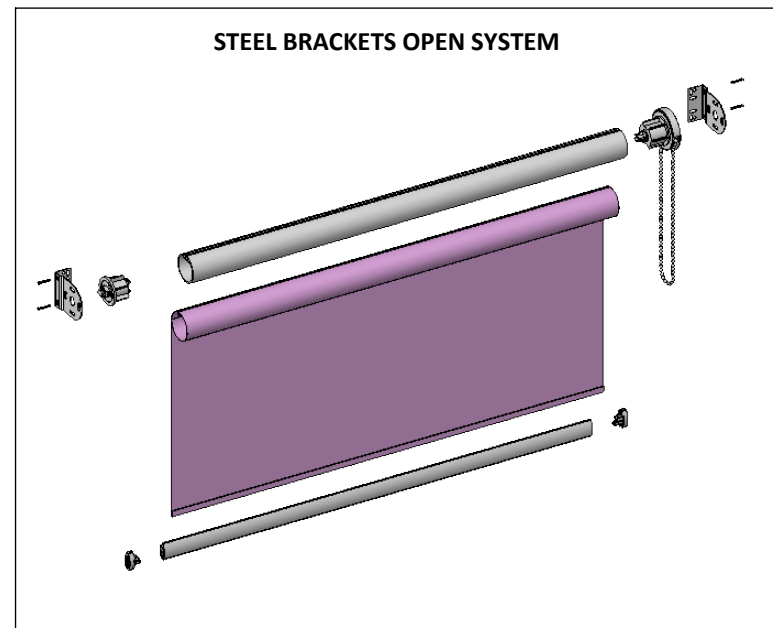
STEEL BRACKETS & MOUNTING-PROFILE SYSTEM



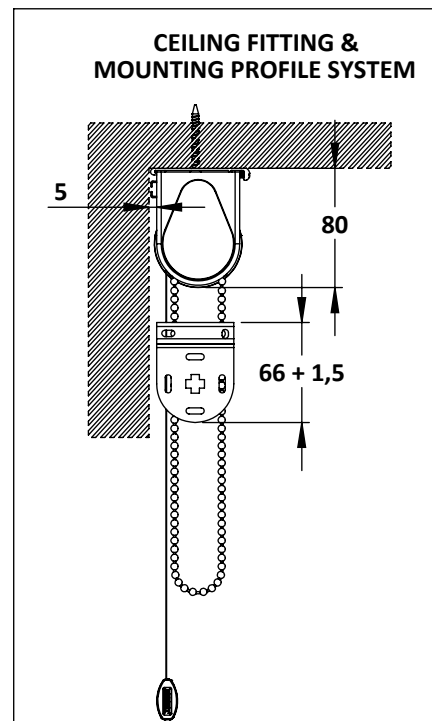
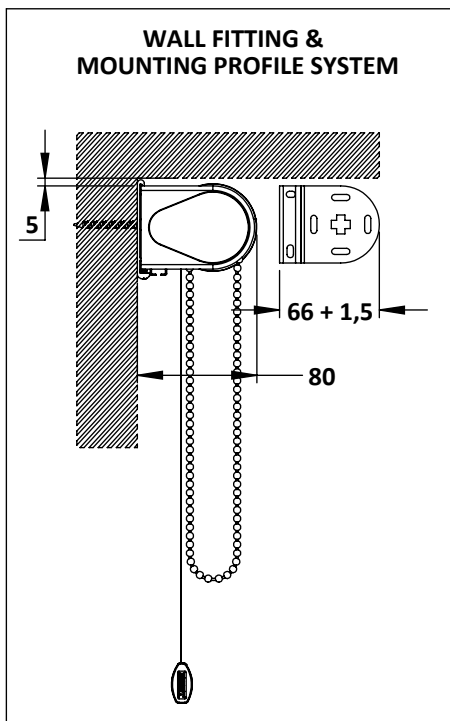
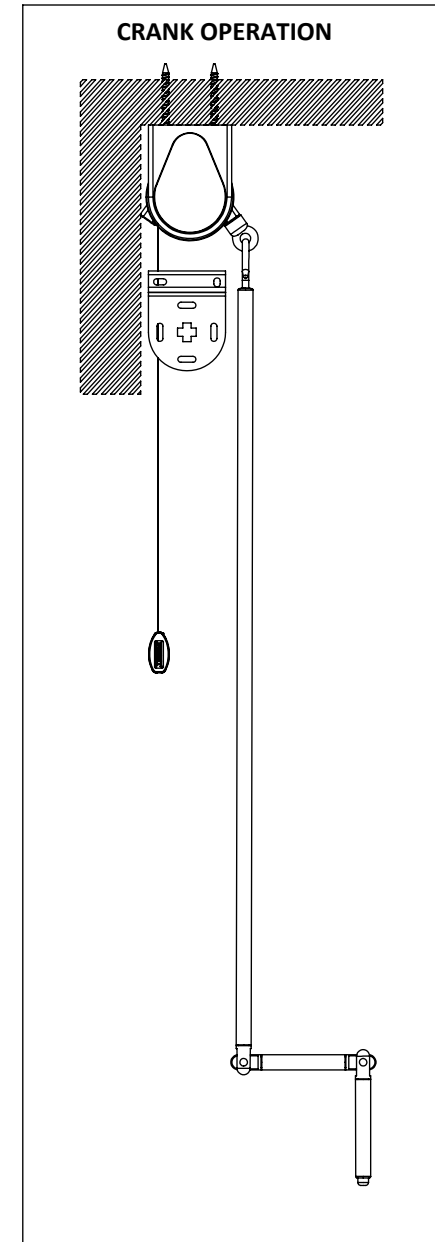
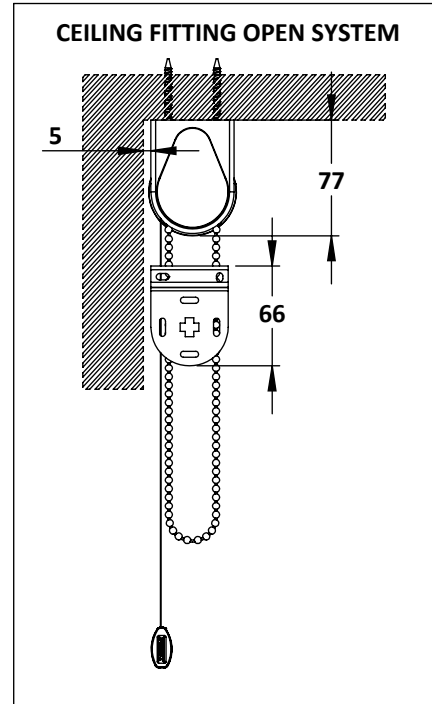
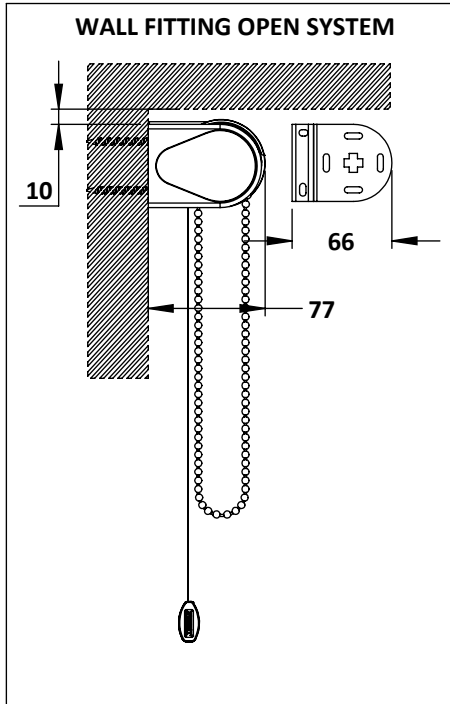
DESIGN BRACKETS OPEN SYSTEM



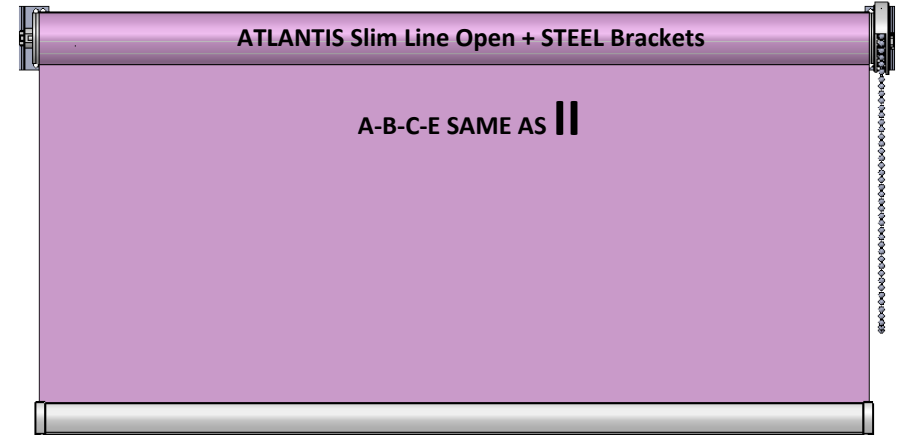
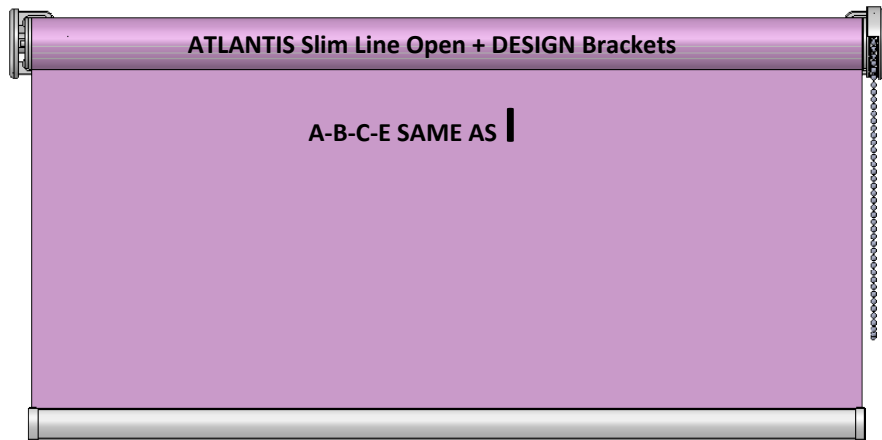
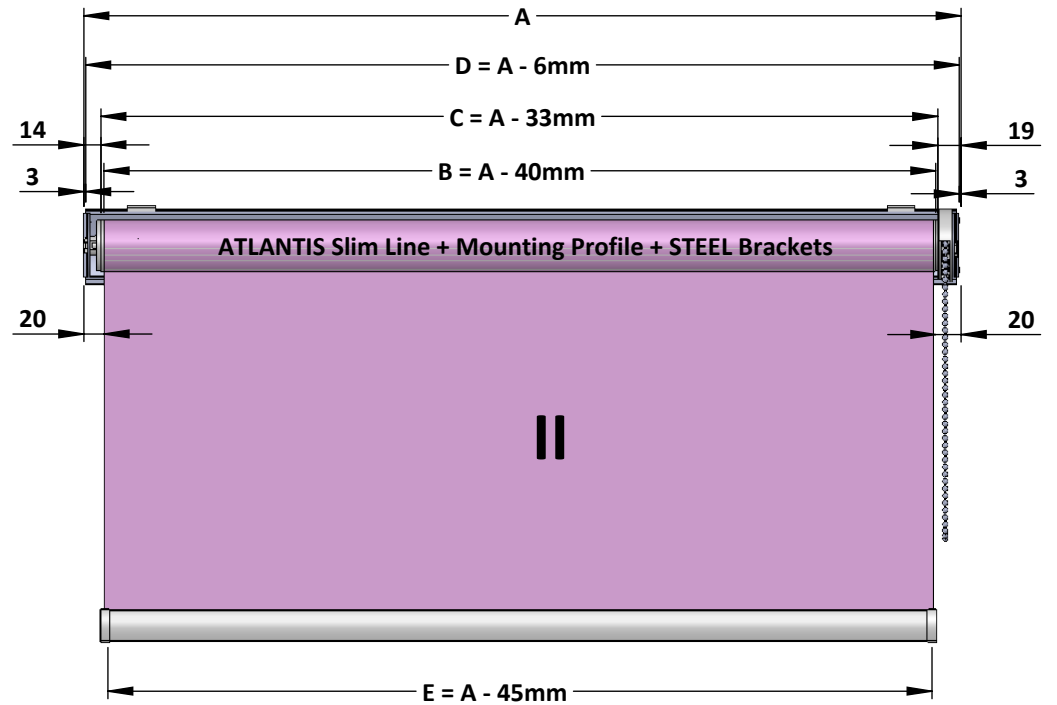
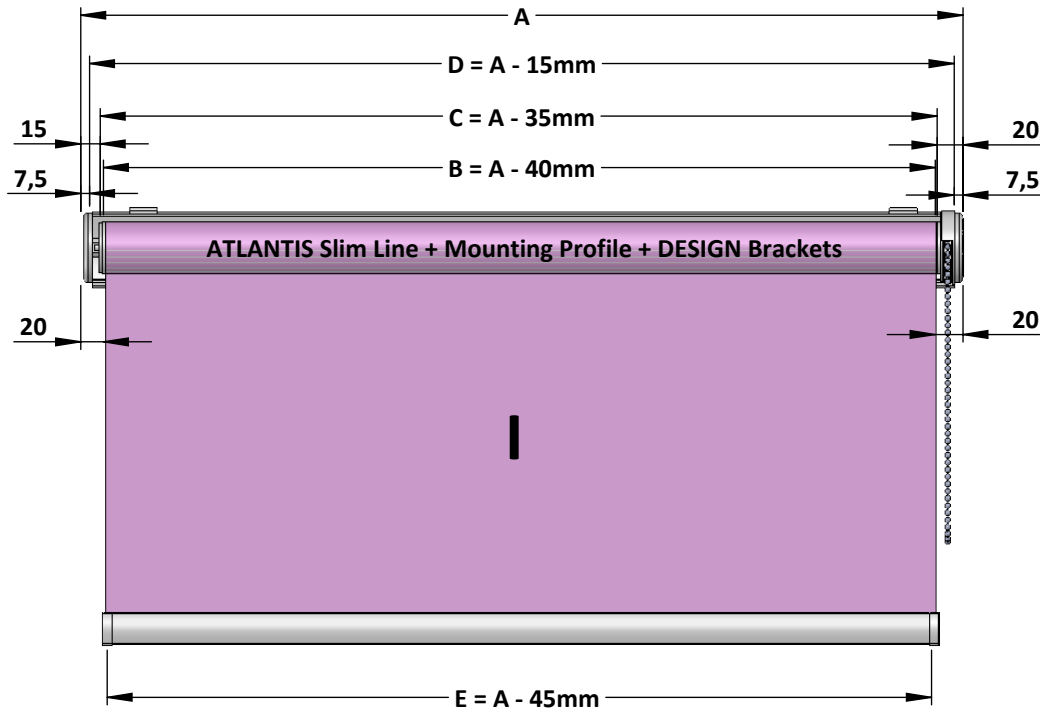
STEEL BRACKETS OPEN SYSTEM



FITTING OPTIONS WITH CHAIN-MOTOR or CRANK OPERATION



HOW TO MEASURE COMPONENTS FOR ASSEMBLING



- A: SYSTEM WIDTH - WINDOW REVEAL
- B: FABRIC WIDTH
- C: TUBE WIDTH (EXCLUSIVELY IDLER / MOTOR - CHAIN OR CRANK CONTROL)
- D: MOUNTING PROFILE
- E : BOTTOM PROFILE