

a unique approach



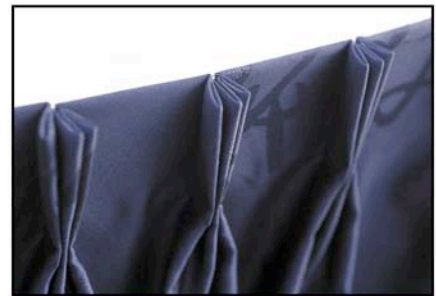
## MICROFLEX adjustable hook

Our adjustable drapery pins embodies the requirements of today's projects from a technical and aesthetic point of view.



### Features

- Sewn Into Drapery, for a Stronger and Stiffer Pleat
- Dry Clean and Washable
- UV-Resistant, Made of High Grade Synthetic
- Adjustable Steps of .20"
- Faster Installation
- Workroom Automation



automation



distributed exclusively by Forest Group USA, Inc.

**FOREST**  
WORKROOM CONCEPTS

1500 Donn Drive • Cartersville, GA 30120  
Toll Free: 800.487.9901 • Fax: 678.721.0023  
[www.forestgroup.com](http://www.forestgroup.com)

## Reasons to Use Microflex ...

- Pin is completely sewn into length of pleat distributing weight effectively.
- 100% synthetic and non-corrosive.
- If pulled, pin will flex back into its original shape causing no drapery damage.
- Pins can go through cleaning without the need of removing them.
- Can be adjusted on the job site with "A Click" (4/16" to 3 1/2") based on pin used.
- Pins are safe to work with; they can not hurt or pierce fingers.
- Microflex PFA-2000 system creates workroom labor savings using automated technology.

## FAQ ...

Q: It's plastic? Is it strong as a stainless pin?

A: The pins are tested by an independent test agency and warranted to hold 11 lbs per pin.

Q: If it's plastic, does it get brittle and break?

A: We have a lifetime warranty on the product if the pin fails. (UV-Resistant).

Q: Does it fit any carrier?

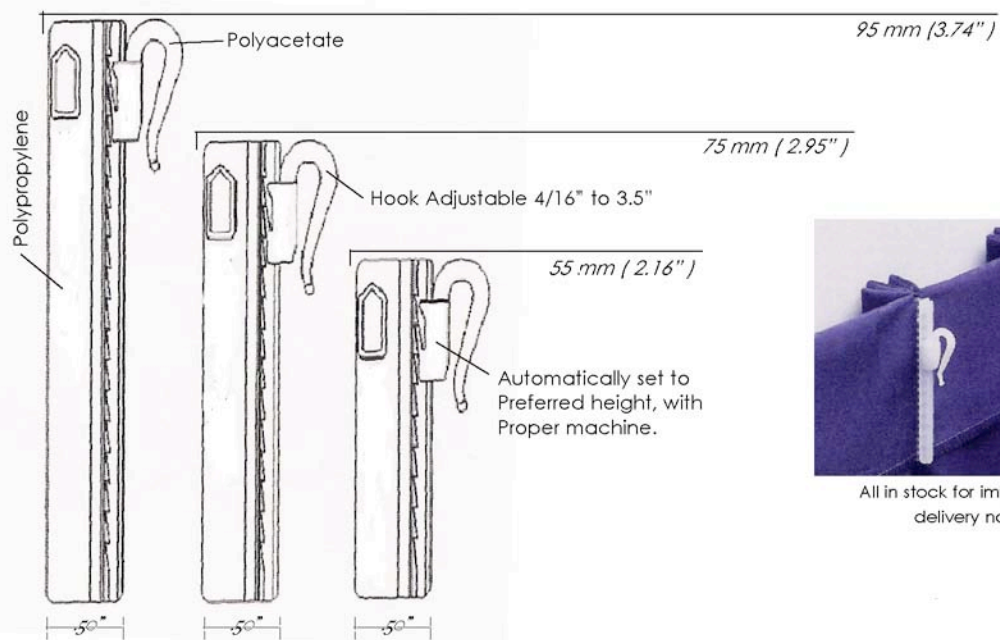
A: Yes, it works with any carrier that has a hole made for pinch-pleated draperies.

Q: Can you leave the hooks in during cleaning?

A: Yes, it can be washed and dry-cleaned up to 320f or 160c.

## Physical Properties ...

Available in 3 Different Lengths:



All in stock for immediate delivery nationally.

A detail test report can be supplied on request.

MICROFLEX PIN SAMPLE